

- 1 (a) Alfonso has \$75 to spend on the internet.
He spends some of the money on music, films and books.

- (i) The money he spends on music, films and books is in the ratio

$$\text{music : films : books} = 5 : 3 : 7.$$

He spends \$16.50 on music.

Calculate the **total** amount he spends on music, films and books.

Answer(a)(i) \$ [3]

- (ii) Find this total amount as a percentage of the \$75.

Answer(a)(ii) % [1]

- (b) The download times for the music, films and books are in the ratio

$$\text{music : films : books} = 2 : 9 : 1.$$

The **total** download time is 3 hours and 33 minutes.

Calculate the download time for the films.

Give your answer in hours, minutes and seconds.

Answer(b) hours minutes seconds [3]

- (c) The cost of \$16.50 for the music was a reduction of 12% on the original cost.

Calculate the original cost of the music.

Answer(c) \$ [3]

2 (a) Solve the inequality.

$$7x - 5 > 3(2 - 5x)$$

Answer(a) [3]

(b) (i) Factorise completely.

$$pq - 2q - 8 + 4p$$

Answer(b)(i) [2]

(ii) Factorise.

$$9p^2 - 25$$

Answer(b)(ii) [1]

(c) Solve this equation by factorising.

$$5x^2 + x - 18 = 0$$

Answer(c) $x =$ or $x =$ [3]

- 3 The time, t seconds, taken for each of 50 chefs to cook an omelette is recorded.

Time (t seconds)	$20 < t \leq 25$	$25 < t \leq 30$	$30 < t \leq 35$	$35 < t \leq 40$	$40 < t \leq 45$	$45 < t \leq 50$
Frequency	2	6	7	19	9	7

- (a) Write down the modal time interval.

Answer(a) s [1]

- (b) Calculate an estimate of the mean time.
Show all your working.

Answer(b) s [4]

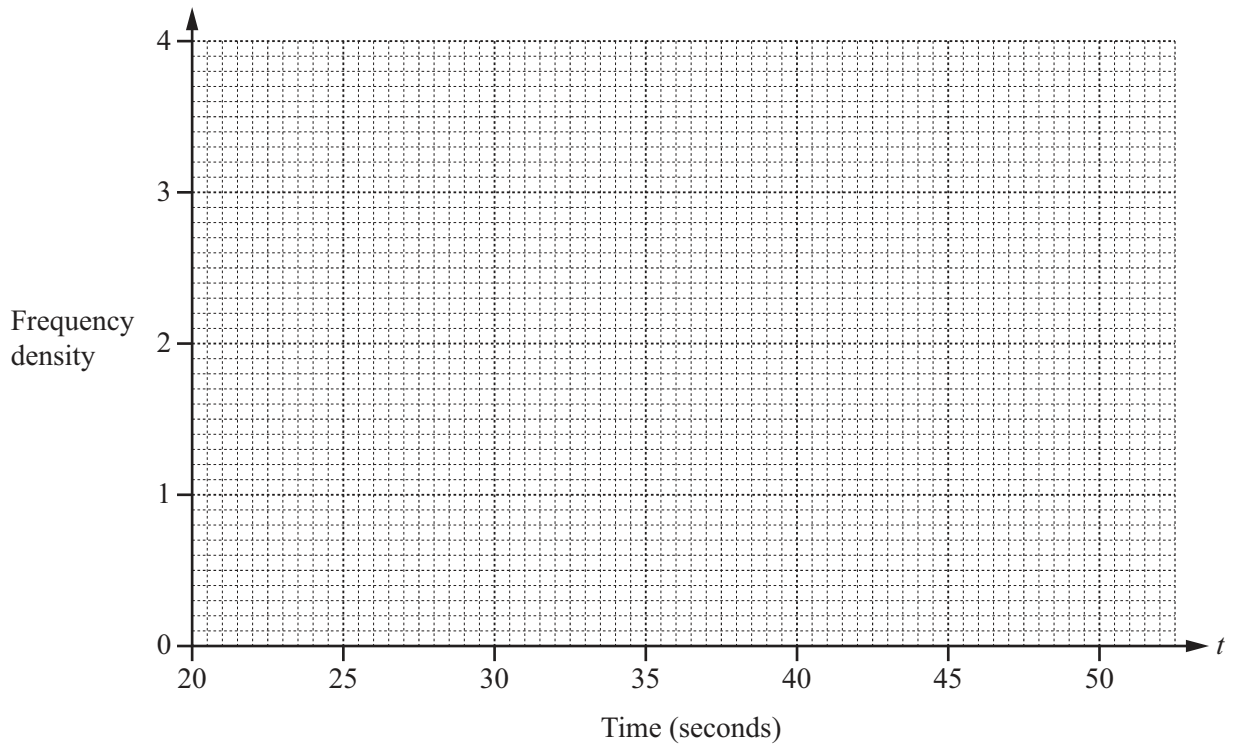
(c) A new frequency table is made from the results shown in the table opposite.

Time (t seconds)	$20 < t \leq 35$	$35 < t \leq 40$	$40 < t \leq 50$
Frequency			

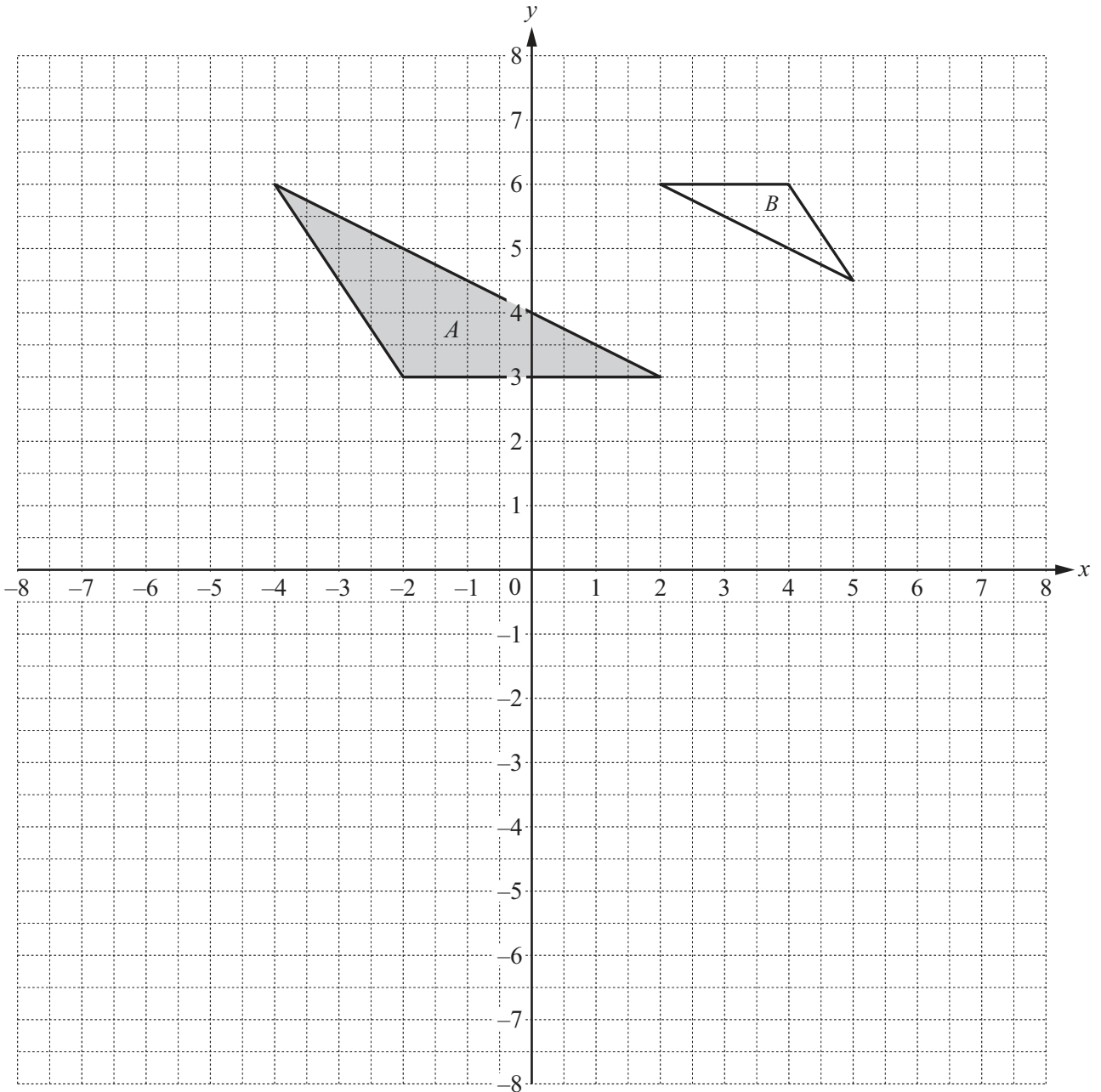
(i) Complete the table.

[1]

(ii) On the grid, draw a histogram to show the information in this new table.



[3]



(a) Describe fully the **single** transformation that maps triangle *A* onto triangle *B*.

Answer(a)

..... [3]

(b) On the grid, draw the image of

(i) triangle A after a reflection in the line $x = -3$, [2]

(ii) triangle A after a rotation about the origin through 270° anticlockwise, [2]

(iii) triangle A after a translation by the vector $\begin{pmatrix} -1 \\ -5 \end{pmatrix}$. [2]

(c) \mathbf{M} is the matrix that represents the transformation in **part (b)(ii)**.

(i) Find \mathbf{M} .

Answer(c)(i) $\mathbf{M} = \begin{pmatrix} & \\ & \end{pmatrix}$ [2]

(ii) Describe fully the **single** transformation represented by \mathbf{M}^{-1} , the inverse of \mathbf{M} .

Answer(c)(ii)

..... [2]

5 $f(x) = 5x - 2$

$g(x) = \frac{7}{x-3}, x \neq 3$

$h(x) = 2x^2 + 7x$

(a) Work out

(i) $f(2)$,

Answer(a)(i) [1]

(ii) $hg(17)$.

Answer(a)(ii) [2]

(b) Solve $g(x) = x + 3$.

Answer(b) $x =$ or $x =$ [3]

(c) Solve $h(x) = 11$, showing all your working and giving your answers correct to 2 decimal places.

Answer(c) $x = \dots\dots\dots$ or $x = \dots\dots\dots$ [5]

(d) Find $f^{-1}(x)$.

Answer(d) $f^{-1}(x) = \dots\dots\dots$ [2]

(e) Solve $g^{-1}(x) = -0.5$.

Answer(e) $x = \dots\dots\dots$ [1]

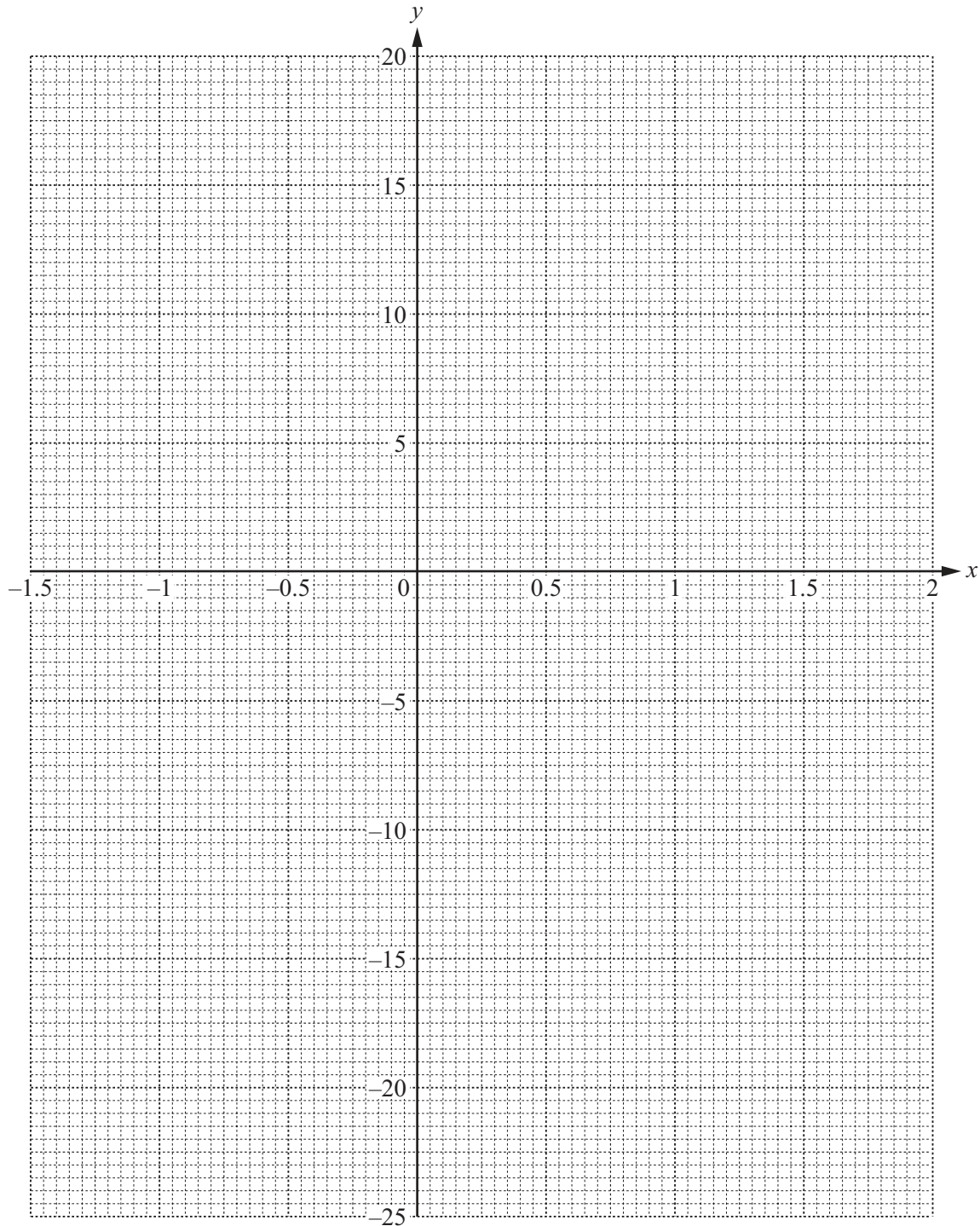
6 $f(x) = 5x^3 - 8x^2 + 10$

(a) Complete the table of values.

x	-1.5	-1	-0.5	0	0.5	0.75	1	1.5	2
$f(x)$	-24.9			10	8.6	7.6	7		18

[3]

(b) Draw the graph of $y = f(x)$ for $-1.5 \leq x \leq 2$.



[4]

(c) Use your graph to find an **integer** value of k so that $f(x) = k$ has

(i) exactly one solution,

Answer(c)(i) $k = \dots\dots\dots$ [1]

(ii) three solutions.

Answer(c)(ii) $k = \dots\dots\dots$ [1]

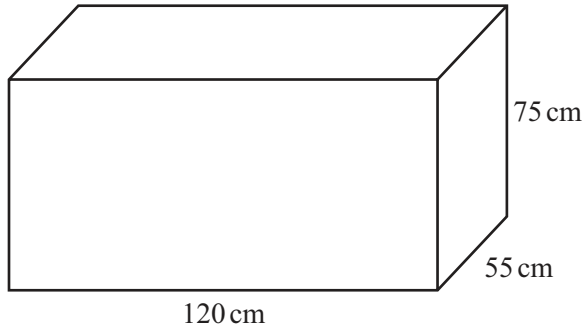
(d) By drawing a suitable straight line on the graph, solve the equation $f(x) = 15x + 2$ for $-1.5 \leq x \leq 2$.

Answer(d) $x = \dots\dots\dots$ or $x = \dots\dots\dots$ [4]

(e) Draw a tangent to the graph of $y = f(x)$ at the point where $x = 1.5$.

Use your tangent to estimate the gradient of $y = f(x)$ when $x = 1.5$.

Answer(e) $\dots\dots\dots$ [3]



NOT TO SCALE

The diagram shows a water tank in the shape of a cuboid measuring 120 cm by 55 cm by 75 cm. The tank is filled completely with water.

- (a) Show that the capacity of the water tank is 495 litres.

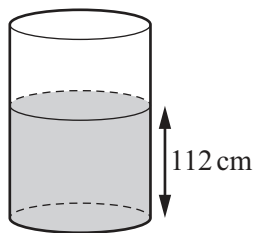
Answer(a)

[2]

- (b) (i) The water from the tank flows into an empty cylinder at a uniform rate of 750 millilitres per second. Calculate the length of time, in minutes, for the water to be completely emptied from the tank.

Answer(b)(i) min [2]

- (ii) When the tank is completely empty, the height of the water in the cylinder is 112 cm.

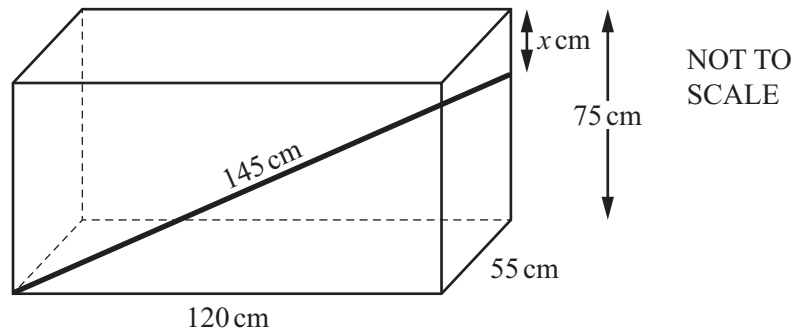


NOT TO SCALE

Calculate the radius of the cylinder.

Answer(b)(ii) cm [3]

(c)



A rod of length 145 cm is placed inside the water tank.
 One end of the rod is in the bottom corner of the tank as shown.
 The other end of the rod is x cm below the top corner of the tank as shown.

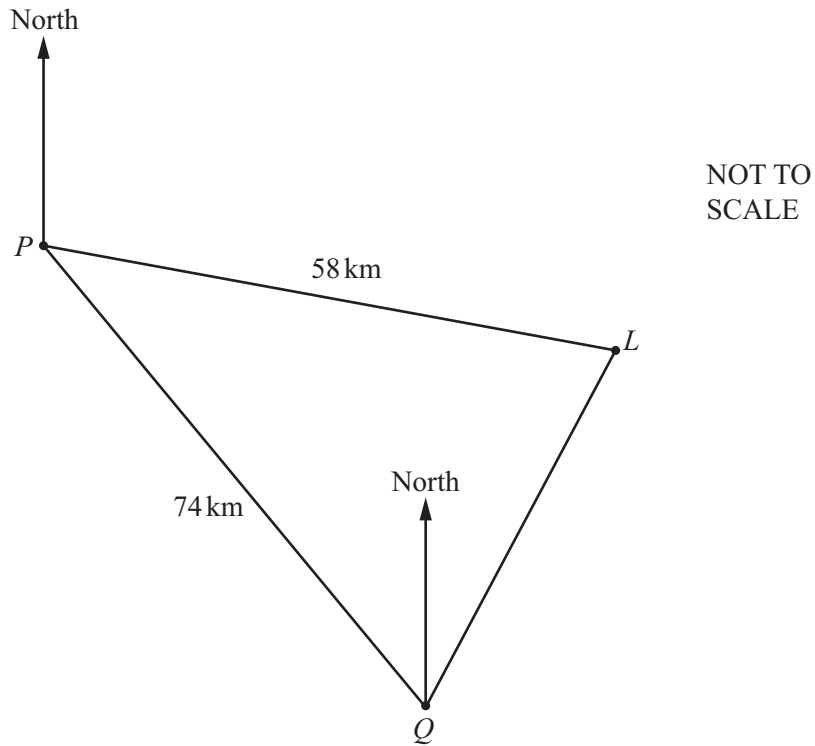
Calculate the value of x .

Answer(c) $x =$ [4]

(d) Calculate the angle that the rod makes with the base of the tank.

Answer(d) [3]

8



A ship sails from port P to port Q .
 Q is 74 km from P on a bearing of 142° .
 A lighthouse, L , is 58 km from P on a bearing of 110° .

(a) Show that the distance LQ is 39.5 km correct to 1 decimal place.

Answer(a)

[5]

(b) Use the sine rule to calculate angle PQL .

Answer(b) Angle $PQL = \dots\dots\dots$ [3]

(c) Find the bearing of

(i) P from Q ,

Answer(c)(i) [2]

(ii) L from Q .

Answer(c)(ii) [1]

(d) The ship takes 2 hours and 15 minutes to sail the 74 km from P to Q .

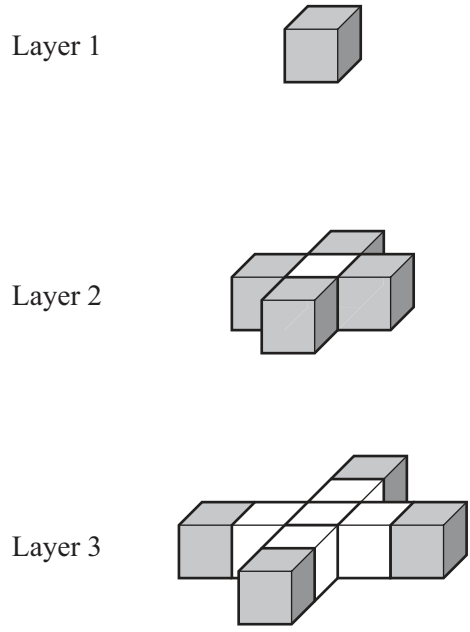
Calculate the average speed in knots.

[1 knot = 1.85 km/h]

Answer(d) knots [3]

(e) Calculate the shortest distance from the lighthouse to the path of the ship.

Answer(e) km [3]



The diagrams show layers of white and grey cubes.
Khadega places these layers on top of each other to make a tower.

(a) Complete the table for towers with 5 and 6 layers.

Number of layers	1	2	3	4	5	6
Total number of white cubes	0	1	6	15		
Total number of grey cubes	1	5	9	13		
Total number of cubes	1	6	15	28		

[4]

(b) (i) Find, in terms of n , the **total** number of **grey** cubes in a tower with n layers.

Answer(b)(i) [2]

(ii) Find the total number of grey cubes in a tower with 60 layers.

Answer(b)(ii) [1]

(iii) Khadega has plenty of white cubes but only 200 grey cubes.
How many layers are there in the highest tower that she can build?

Answer(b)(iii) [2]

- (c) The expression for the **total** number of **white** cubes in a tower with n layers is $pn^2 + qn + 3$.

Find the value of p and the value of q .
Show all your working.

Answer(c) $p =$

$q =$ [5]

- (d) Find an expression, in terms of n , for the **total** number of cubes in a tower with n layers.
Give your answer in its simplest form.

Answer(d) [2]

10 Kenwyn plays a board game.

Two cubes (dice) each have faces numbered 1, 2, 3, 4, 5 and 6.

In the game, a **throw** is rolling the **two** fair 6-sided dice and then adding the numbers on their top faces. This total is the number of spaces to move on the board.

For example, if the numbers are 4 and 3, he moves 7 spaces.

(a) Giving each of your answers as a fraction in its simplest form, find the probability that he moves

(i) two spaces with his next throw,

Answer(a)(i) [2]

(ii) ten spaces with his next throw.

Answer(a)(ii) [3]

(b) What is the most likely number of spaces that Kenwyn will move with his next throw?

Explain your answer.

Answer(b) because

..... [2]

(c)

95	96	97	98	99 Go back 3 spaces	100 WIN
----	----	----	----	---------------------------	------------

To win the game he must move **exactly** to the 100th space.

Kenwyn is on the 97th space.

If his next throw takes him to 99, he has to move back to 96.

If his next throw takes him over 100, he stays on 97.

Find the probability that he reaches 100 in either of his next two throws.

Answer(c) [5]

Permission to reproduce items where third-party owned material protected by copyright is included has been sought and cleared where possible. Every reasonable effort has been made by the publisher (UCLES) to trace copyright holders, but if any items requiring clearance have unwittingly been included the publisher will be pleased to make amends at the earliest possible opportunity.

Cambridge International Examinations is part of the Cambridge Assessment Group. Cambridge Assessment is the brand name of University of Cambridge Local Examinations Syndicate (UCLES), which is itself a department of the University of Cambridge.